

# D100

Solution top loading packer using Pick & Place cartesian multiple case filling stations.



The **D-100** is a top packer with Pick & Place Cartesian system consisting of multiple case filling stations. The filling of cases is performed by a pick & place mechanism which supports several heads with speed which is adjustable according to product type. The system is expandable, depending on the required production output.

The new generation DELTA machines are designed to solve any needs that arise in the final line by automating the packing phase.

## Characteristics

- > Reaches an output of up to 20 cases/minute.
- > Multiple case filling stations.
- > Flexible solution.
- > Up to 3 cases/cycle.
- > Optional case placement unit.
- > Closing of case for optional seal or hot glue.
- > Spindle rotation option.
- > Valid for WRAPPING cases such as RSC.
- > Quick format change.

**PRODEC**  
FLEX · TECH

# D100

Solution top loading packer using Pick & Place cartesian multiple case filling stations.

## Serie 100

Flexible in its applications, the D-100 packer can be equipped with multiple power lines, thus also developing functional synchronization of the unit to a single line, regardless of the packing function.

An additional mechanism allows rotation of the suction head to deposit the containers at different positions on each floor or line. The spindle includes packaging tape or product entry element. In the scroll cases, the pickup element performs a twist on its axis by placing the containers at 90° or 180° from the initial position.

Unit formation and closure of independent cases.

The D-100 packer, can be incorporated into the available spaces in each case, depending on the precise characteristics, the configuration that best suits the needs of both techniques is the economic preference. The design of this equipment, together with its easy adaptability to new formats or final submissions, provides a very good versatility for future applications.

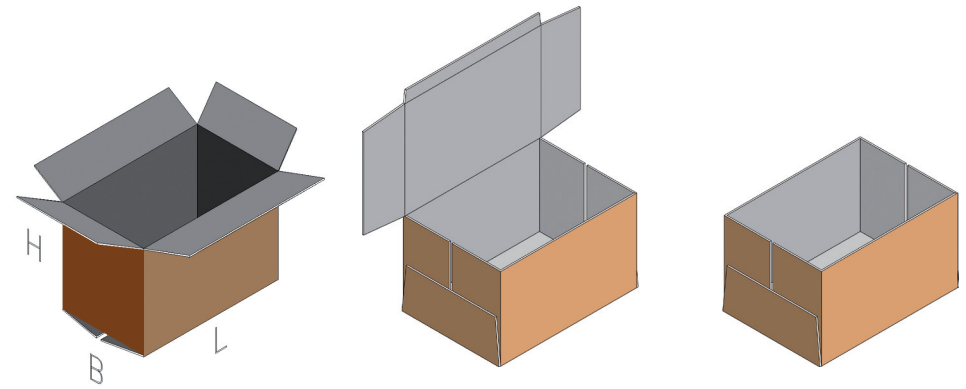
Designed for higher production volumes and loading several cases for each work cycle. It is also equipped with various power system products, thereby making it multi-functional.

Several specific systems can be incorporated into the computer system for food and packaging: bags, doypacks, bottles, envelopes, cases, trays, jars, flow packs, etc. There is a solution for each case.

PRODEC has brought together in one unit, forming, filling and sealing functions (optional) of cases, with outstanding design features and functionality that are detailed below:

### Compact design

All the functions described are developed in a versatile, efficient and compact equipment, occupying a small and simple handling space for the operator. Robust and transparent from any constructive conception angle, it allows one to observe all mechanisms and operational functionality from the outside.



### Accessible

The clean, open design without mechanical barriers, greatly simplifies all interventions required on the equipment, whether by a change in format or a simple cleaning and maintenance regulation or routine.

### Flexible

Its advanced concept allows an expansion of its functions to suit the required project needs.

### Ergonomics

We have used specific design methods for its development to optimize the comfort and convenience of staff working on the machine.

### Information Management

A powerful software developed by our technical team allows you total control over the device functions. You can also perform simple formatting changes through the incorporated touch screen. Through this, it is possible to verify production efficiency for shifts or slots, making it an effective analytical instrument. It is ready to integrate various lines of work according to the standard OMAC.