



Thermal Transfer Overprinting

Videojet DataFlex® 6530

The Videojet DataFlex® 6530 includes iAssure™ technology, a built-in code quality checker to help reduce waste and rework with no additional hardware, installation or training.²

The Videojet DataFlex® 6530 is a high-speed thermal transfer overprinter built to offer superior performance and consistent high-quality printing. The airless, patented all-electronic system and ribbon drive can achieve print speeds up to 1000mm/s and throughputs up to 700 ppm¹.

The 6530 offers multiple integration options with a modular design, and is available in two printhead widths, 53mm with iAssure™ and 107mm, to meet your specific application needs.²



Uptime Advantage

- Reduce costs and downtime, maximize printhead life and gain consistent print quality thanks to airless Videojet Intelligent Motion™ technology
- Up to 1,200m ribbon capacity and a variety of ribbon economy modes help maximize the time between ribbon changeovers

Built-in productivity

- Using default settings you can maintain consistent code quality and avoid conventional air and energy settings that operators might over-adjust
- Quickly discover code legibility issues that indicate the potential need for printer maintenance
- Industry-leading simple cassette change designed for fast ribbon replacement to maximize uptime
- 25% faster throughput than previous Videojet TTO models

Code Quality Assurance

- Videojet iAssure™ technology², a built-in code quality checker, helps reduce waste and rework with no additional hardware, installation or training
- Videojet CLARiTY™ software helps ensure the right code is consistently printed on the right product

Easy usability

- Simple operator interface
- Designed to withstand tough production line environments
- Minimal wear parts are easy to change out, improving production line uptime

¹ Application and substrate dependent. iAssure™ technology is not currently supported for use with all ribbon savings modes.

² iAssure not available in 107mm printhead width

Videojet DataFlex® 6530

Thermal Transfer Overprinting

Printhead

53mm or 107mm, 300dpi (12dot/mm)

Print area

53mm intermittent printing mode: 2.1" (53mm) wide x 3.0" (75mm) long
53mm continuous printing mode: 2.1" (53mm) wide x 11.8" (300mm) long
107mm intermittent printing mode: 4.3" (107mm) wide x 3.0" (75mm) long
107mm continuous printing mode: 4.3" (107mm) wide x 11.8" (300mm) long

Minimum print speed¹

Intermittent mode: 0.4 in./sec (10mm/sec)
Continuous mode: 0.04 in./sec (1mm/sec)

Maximum print speed¹

53mm intermittent printing mode: 31.5 in/sec (800mm/sec)
107mm intermittent printing mode: 23.6 in/sec (600mm/sec)
Continuous mode: 39.4 in./sec (1,000mm/sec)

Maximum throughput¹

53mm normal print mode: Up to 500 prints per minute
53mm high throughput mode: Up to 700 prints per minute
107mm normal print mode: Up to 450 prints per minute

Printing capabilities

Full downloadable font support using TrueType® fonts (including multiple languages and Unicode support); fixed, variable and merged text fields; flexible date/time formats; flexible shift code formats; auto best before date calculations and concession management; calendar rules; auto incrementing/decrementing text, counters and bar codes; multiple graphic formats supported (up to maximum print area); link fields to databases; scalable text and text blocks

Bar codes

EAN 8, EAN 13, UPC-A, UPC-E, Code 39, EAN 128, Code 128, ITF, RSS (including 2D composite codes), DataMatrix, QR; others available upon request

Operator interface

TFT SVGA 800x480 full-color LCD and touch screen, WYSIWYG print preview, full on-board diagnostics, 3 levels of password protection, extensive language support

Ribbon range

Full assortment of wax/resin and resin ribbons

Maximum ribbon length

Lengths up to 1,200 meters available, dependent on ribbon composition and color

Ribbon widths

53mm: 0.8" (20mm) min, 2.2" (55mm) max
107mm: 2.2" (55mm), 4.33" (110mm) max

Nominal gap between successive prints

0.02" (0.5mm)

Ribbon saving features

Radial, interleaved, intermittent stripes

Image design software

Videojet CLARISOFT™, CLARISUITE® or VideojetConnect™ Design Template Management software

Network management software

CLARINET™

Remote coder configuration software

CLARITY™ Configuration Manager
"Off-line" set up and parameter storage available as standard

Standard installation options leader/follower configuration

Up to four Videojet DataFlex® 6530 printers controlled via a single CLARITY control unit

Web browser mode

Control Videojet DataFlex® 6530 units remotely through the host packaging machine interface

External communications

RS232, dual Ethernet, USB memory stick and scanner support, Binary and ASCII comms protocols, Windows® drivers, ZPL and SATO emulations

External inputs/outputs

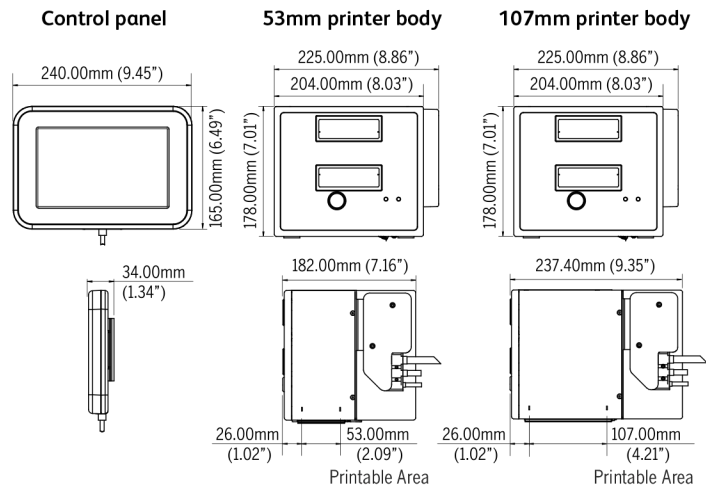
3 PNP inputs
2 relay outputs and 2 PNP +24V outputs

Power supply

100-240VAC

Operating temperature

0-40°C (32-104°F)²



¹ Application dependent

² With selected ribbons. Actual installation may require additional hardware based on production environment.

CERTIFIED
ISO 9001
DOCUMENTED QUALITY



Call **+622158303560**
Email **info@markindo.co.id**
or visit **www.markindo.co.id**

Videojet Technologies Inc.
PT. Markindo Rekateknik
Graha Arteri Mas 2,
Jl Panjang No 68, Kav 6
Jakarta Barat, DKI Jakarta

© 2020 Videojet Technologies Inc. — All rights reserved.

Videojet Technologies Inc.'s policy is one of continued product improvement. We reserve the right to alter design and/or specifications without notice. TrueType is a registered trademark of Apple Inc., registered in the United States and other countries. Windows is a registered trademark of Microsoft Corporation in the United States and/or other countries.

Part No. SL000649
ss-6530-en-sg-0920

