

Large Character Inkjet

# Videojet® Unicorn II

The Unicorn II is a compact inkjet printer that provides high quality, reliable and economical large character printing of one or two lines.

Whatever your needs, the Unicorn II printer can be programmed quickly and easily. Product names, identification numbers, automatic production counts and accurate-to-the-minute time code capabilities are available at the touch of a button. The Unicorn II is an economical cost per code printing solution that delivers up to two lines of text with built-in multiple language capability.



## Uptime Advantage

- Customized time, date and count codes including best before/best by date which automatically update for minimal operator interaction
- Optional bulk ink supply further reduces consumable costs and extends time between ink replenishment for more efficient operation
- Universal voltage and built-in language selection for global use

## Built-in productivity

- Store messages in the controller for instant recall to reduce time to complete line changeover
- Low acquisition cost to deliver on-demand case coding for nearly all simple applications
- Low consumable cost keeps per item coding cost low for profitable operations

## Simple usability

- Quick and simple integration; out of the box and on the job in minutes
- Includes a standalone bracket, minimizing hardware integration needs
- Built-in photocells detect production direction and speed for simple integration
- Menu-driven controller to create and edit messages

# Videojet® Unicorn II

## Large Character Inkjet

### System includes

Controller/input device; printhead; universal power supply; mounting bracketry and a bottle of porous ink

### Built-in software features

Customized time and date codes  
Roller hour  
Expiration date for automatic printing  
Shift organizer for automatic coding by particular shifts (up to 4 shifts)  
Print delay for message placement  
Character width adjustment  
Variable speed or fixed speed printing  
Consecutive incremental numbering

### Operating languages

Dutch, English, Finnish, French, German, Italian, Portuguese, Spanish, Swedish, Norwegian, Turkish, Hungarian  
Additional printable characters: Cyrillic, Arabic, Hebrew, Polish  
Special application units include: Japanese, Korean, Simplified Chinese, Traditional Chinese, Thai

### Print heights

Standard print height: 1.0inch (25mm)  
Optional heights: 0.75inch (20mm), 1.25inches (32mm), 1.9inches (48mm)

### Character fonts

7x5 dot matrix, 16x10 dot matrix

### Conveyor line speed

20fpm (6.1mpm) to 200fpm (61.0mpm)

### Message length

Up to 40 characters of 16 dot font or two 80 character rows of 7 dot font

### Message storage capacity

Up to 40 messages

### Operating temperature range

40°F to 120°F (4°C to 49°C)

### Electrical

System uses a universal switching power supply  
100/240VAC at 50/60Hz

### Print sensor

Internal sensors included; external sensor is optional

### Ink system

Internally regulated ink system; factory set, no adjustment necessary

### Ink

8oz. (0.23liter) bladder pressurized, non-aerosol ink bottle  
Optional bulk ink option (5gal.) available; ADS Ink System required  
*Videojet recommends the use of an ADS system to provide optimal print quality*

### Shipping weight

11.45lbs. (5.19kg)

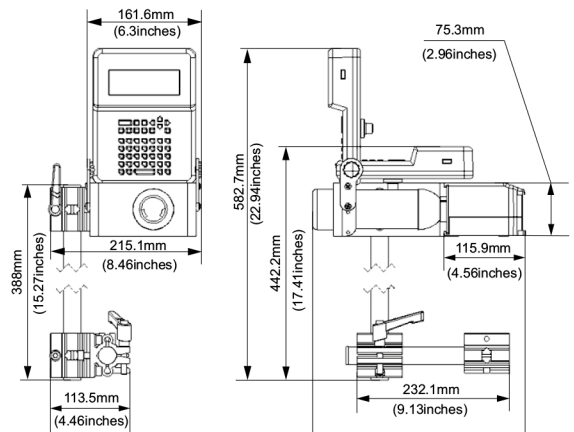
### Mounting bracketry

15.0 and 9.0inch (38.9 and 22.8cm) tubing with 1.0inch (2.54cm) outside diameter (OD)  
Optional hand levers can be installed for simple up/down and in/out adjustments

### Optional bracketry for special installations

Long Reach Bracket Kit available for special mounting situations

### Dimensions



CERTIFIED  
ISO 9001  
DOCUMENTED QUALITY



Call **+622158303560**  
Email **info@markindo.co.id**  
or visit **www.markindo.co.id**

Videojet Technologies Inc.  
PT. Markindo Rekateknik  
Graha Arteri Mas 2,  
Jl Panjang No 68, Kav 6  
Jakarta Barat, DKI Jakarta

© 2016 Videojet Technologies Inc. — All rights reserved.  
Videojet Technologies Inc.'s policy is one of continued product improvement.  
We reserve the right to alter design and/or specifications without notice.

Part No. SL000486  
ss-unicorn-II-en-sg-0216

