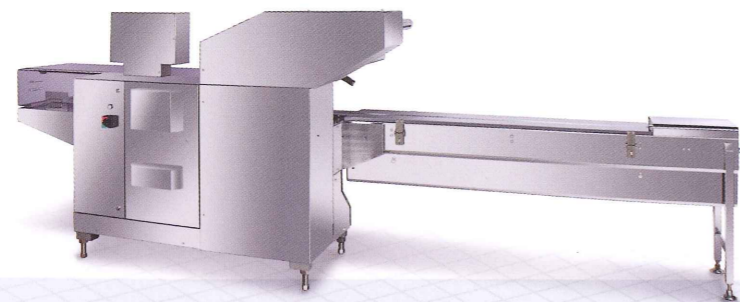


ROTARY SEALER

MODEL FOR HIGH SPEED APPLICATIONS.

FW3400/FW3410

FW3700/FW3710



BOX MOTION SEALER

MODEL FOR HERMETIC SEAL PACKAGE.

FW3400B/FW3410B

FW3700B/FW3710B

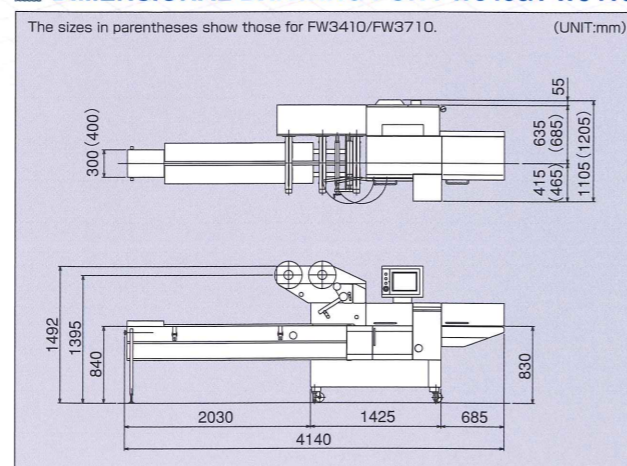


STANDARD SPECIFICATIONS

Machine Model	FW3400/FW3700	FW3410/FW3710
Capacity	Up to 800 packs/min	
Cut off length	Up to 450mm (Up to 3,999mm according to spec.)	
Product size	Width: Up to 140mm	Width: Up to 200mm
	Height: Up to 100mm	
Wrapping film	Film width: Up to 450mm	Film width: Up to 650mm
	Outside diameter: Up to 300mm	
Motor	5 AC servo motors	
Power consumption	200V 3.655kW	200V 4.155W
	(Input voltage 220-480V available with transformer)	

Specifications may vary according to application, and the right is reserved to make changes without notice.

DIMENSIONAL DRAWING FOR FW3400/FW3410

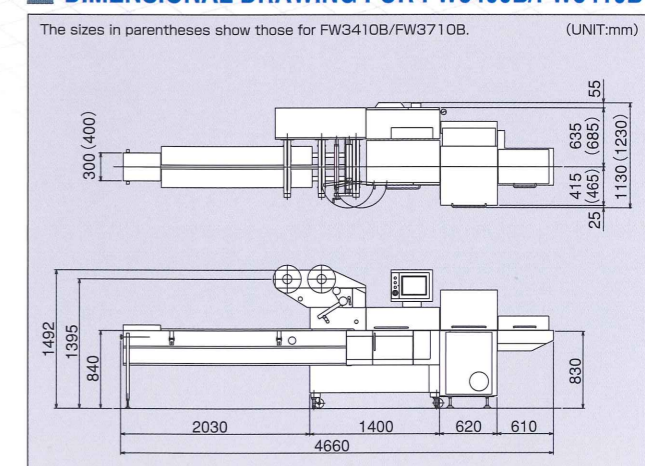


STANDARD SPECIFICATIONS

Machine Model	FW3400B/FW3700B	FW3410B/FW3710B
Capacity	Up to 250 packs/min	
Cut off length	Up to 430mm (Up to 3,999mm according to spec.)	
Product size	Width: Up to 140mm	Width: Up to 200mm
	Height: Up to 100mm	
Wrapping film	Film width: Up to 450mm	Film width: Up to 650mm
	Outside diameter: Up to 300mm	
Motor	5 AC servo motors	
Power consumption	200V 3.685kW	200V 4.185kW
	(Input voltage 220-480V available with transformer)	

Specifications may vary according to application, and the right is reserved to make changes without notice.

DIMENSIONAL DRAWING FOR FW3400B/FW3410B



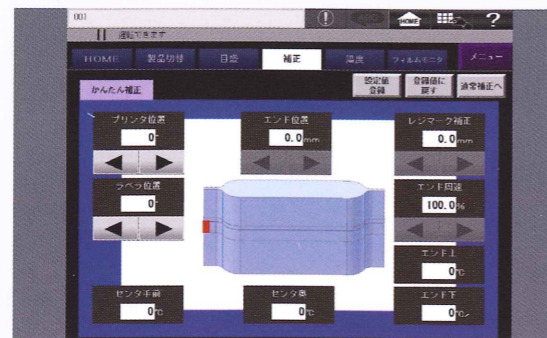
EVOLUTION OF PACKAGING MACHINES IN GREEN

STAINLESS STEEL COVERED MODEL **FW3400 SERIES** / STAINLESS STEEL CONSTRUCTION MODEL **FW3700 SERIES**



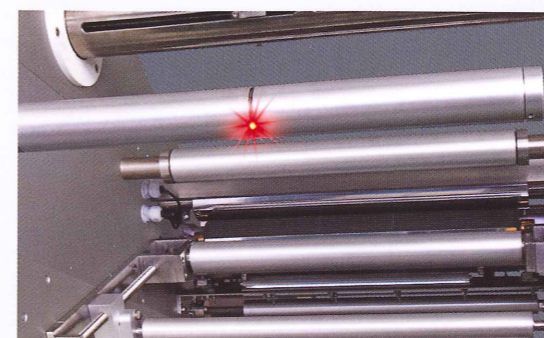
▶ PANEL COMPUTER

12.1" color monitor with touch screen installed designed to provide fast and accurate diagnostics. USB interface equipped below screen.



▶ UNIVERSAL DESIGN INTERFACE

Operator interface with the machine is simple and straightforward. This model is designed for concept of "anyone will find easy to use".



▶ NON - CONTACT SENSOR

New type of sensor to detect finish of film rolls.



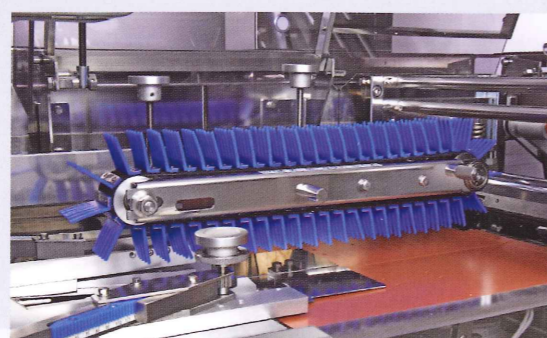
▶ ENERGY SAVING

Energy saving technology, maintenance-free design, faster temperature control and accuracy.



▶ FVS: FUJI VISION SYSTEM

High-speed scanning system that reads the surface image in high-definition which can be used for multi-functions.



▶ RENEWAL TRANSFER BRUSH UNIT

New material "high tear strength silicon" which is hard to be split, heat resisted.



▶ EASY TO CLEAN

Cantilevered frame and surface design, easy-to-clean flat surface, minimized future maintenance.

▶ WRAPPING PROCESS

